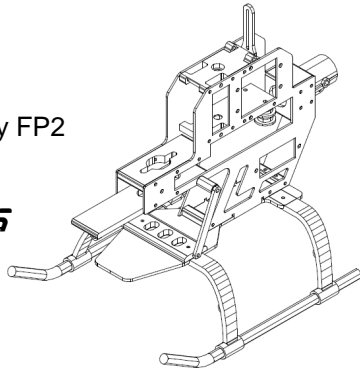


Fiber Body

BladeCP / E-Sky CP2 / E-Sky FP2

J-TEAM RC MODELS



J-TEAM RC Models

Website: <http://www.j-team.com.hk>

email: info@j-team.com.hk

Address: 10B, Ming Wah Ind Bldg,

17-33 Wang Lung St., Tsuen Wan.

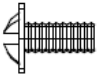
NT, Hong Kong.

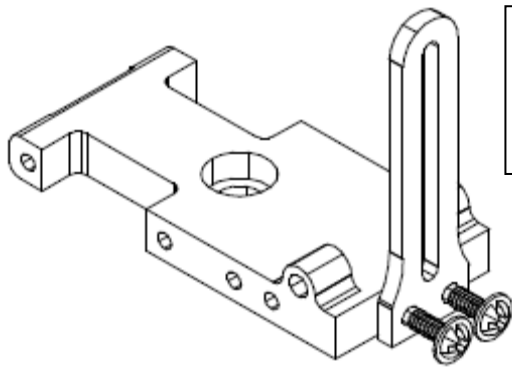
Preface

Thanks for purchasing J-TEAM RC Models products. The Fiber Body is a strengthened and durable frame for BladeCP / HBCP2 / FP2. Please read the manual carefully before assembling the model. You may always get the latest online version of the manual via <http://www.j-team.com.hk>

Warning

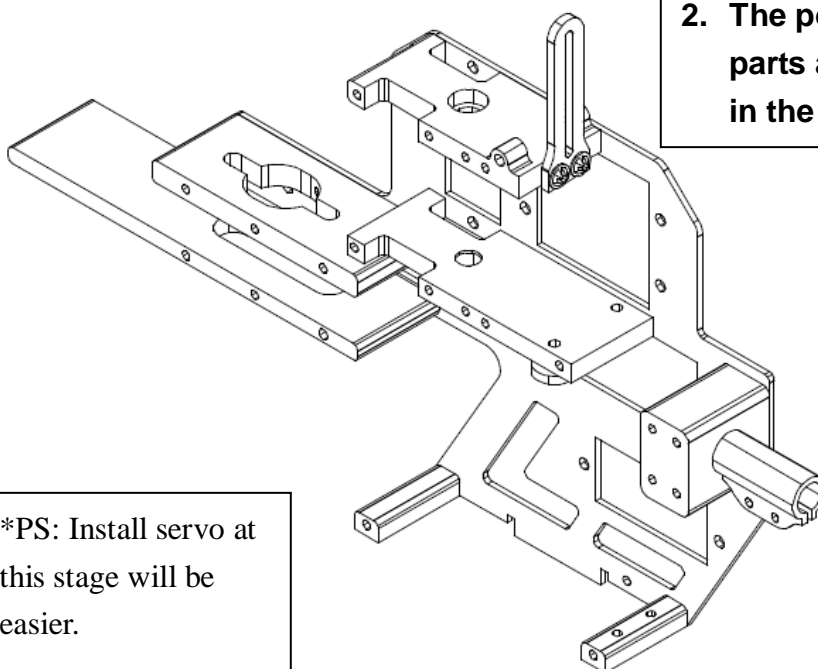
RC helicopters are not toys! Choose a safe location to fly your model and confirm you have done the safety measures before starting the model.

Screws used	Quantity
 1.7 X 5	2 pcs



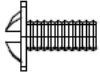
1. Tighten the swash plate holder

Screws used	Quantity
nil	Nil

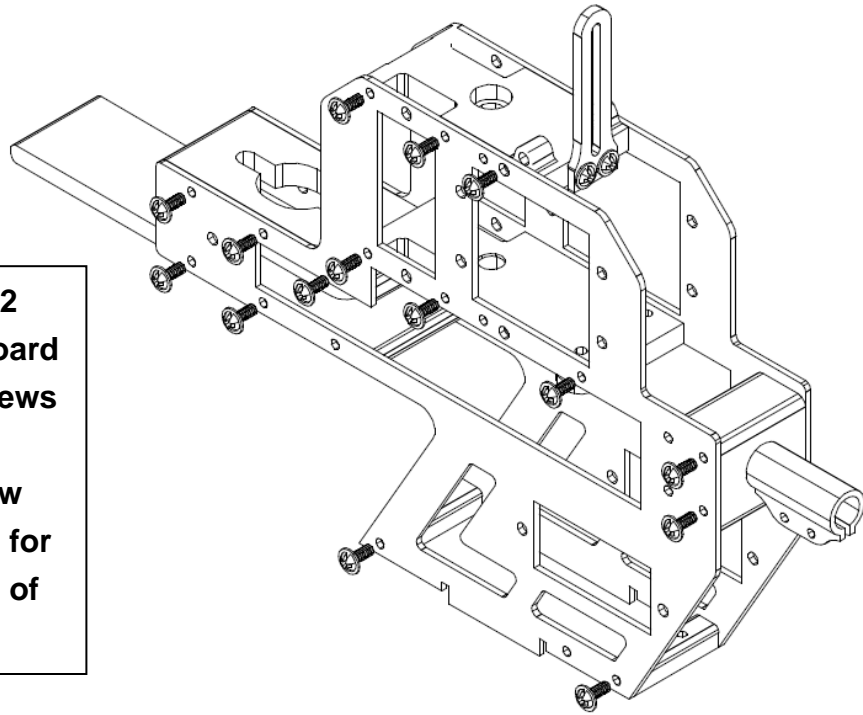


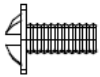

2. The position of the parts are as shown in the diagram.

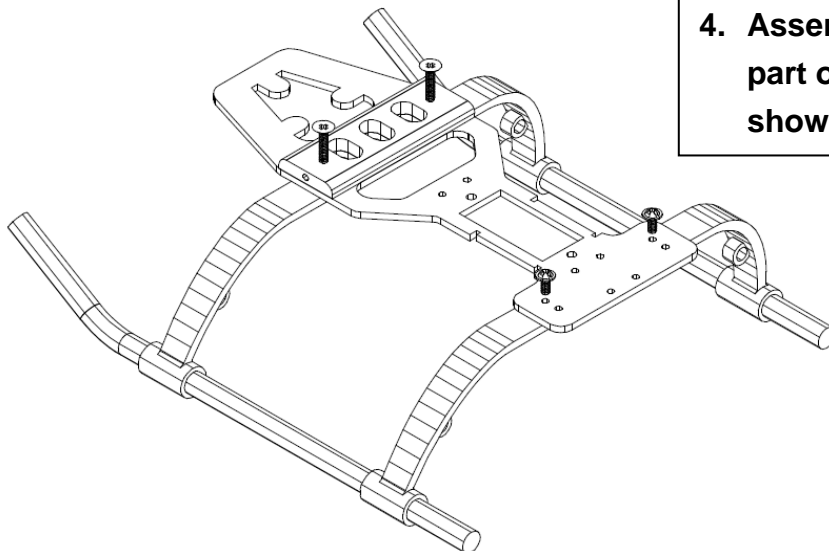
*PS: Install servo at this stage will be easier.

Screws used	Quantity
 1.7 X 5	15 pcs

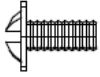

3. Tighten the 2 side fiber board with the screws provided. Please follow the diagram for the position of screws.

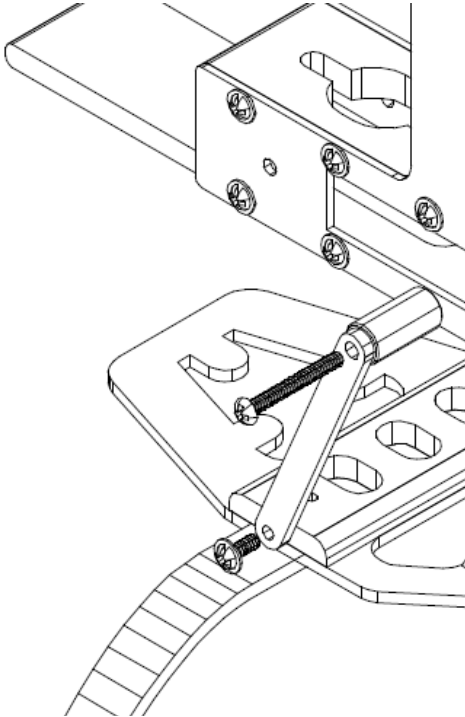


Screws used	Quantity
 1.7 X 5	2 pcs
 1.7 X 7	2 pcs



4. Assemble the lower part of the body as shown.

Screws used	Quantity
 1.7 X 5	6 pcs
 M2X14	2 pcs



- 5. Install the battery support rod. Please note that one of the hole is bigger for the 2mm screws.
- 6. Tighten the lower frame with 4 pcs of screws.

